



US00D661046S

(12) **United States Design Patent**
Leleniak

(10) **Patent No.:** **US D661,046 S**

(45) **Date of Patent:** **** Jun. 5, 2012**

(54) **FOOD PRODUCT**

(75) Inventor: **Marek Leleniak**, Pruszkow (PL)

(73) Assignee: **Stanislaw Bortkiewicz**, Milanowek (PL)

(**) Term: **14 Years**

(21) Appl. No.: **29/389,031**

(22) Filed: **Apr. 6, 2011**

(51) **LOC (9) Cl.** **01-01**

(52) **U.S. Cl.** **D1/106**

(58) **Field of Classification Search** D1/100-199;
D11/68, 33, 106; D24/101-104, 211-212,
D24/9, 571, 575, 576, 396.4, 597-601, 200;
D10/9; D7/677, 676, 675, 672, 361, 359,
D7/354, 901; 426/104, 803, 134, 16, 20,
426/2, 635, 805, 138, 143; D6/597-601;
D21/707, 386; D25/119, 121; 119/706-711,
119/702; D9/613, 655; D28/8.2

See application file for complete search history.

(56) **References Cited**

U.S. PATENT DOCUMENTS

D244,566 S	*	6/1977	Evans et al.	D1/114
D338,154 S		8/1993	Breneman et al.		
D418,645 S	*	1/2000	Delborgo, Jr.	D32/43
D431,677 S	*	10/2000	Regensburg	D28/8.2
D439,493 S	*	3/2001	Chen	D8/103
D462,610 S		9/2002	Davis		
D469,347 S	*	1/2003	Davis	D9/667

D541,592 S		5/2007	Bortkiewicz		
D564,726 S		3/2008	Bortkiewicz		
D564,727 S		3/2008	Bortkiewicz		
D564,728 S		3/2008	Bortkiewicz		
D572,422 S	*	7/2008	Renn	D32/40
D617,652 S	*	6/2010	Katz et al.	D9/667

FOREIGN PATENT DOCUMENTS

EM 001846965-0007 * 4/2011

* cited by examiner

Primary Examiner — Barbara Fox

(74) *Attorney, Agent, or Firm* — Myers Wolin, LLC

(57) **CLAIM**

I claim the ornamental design for a food product, as shown and described.

DESCRIPTION

FIG. 1 is a top perspective view of a food product showing my new design;

FIG. 2 is a bottom perspective view thereof;

FIG. 3 is a rear elevation view thereof;

FIG. 4 is a left side elevation view thereof;

FIG. 5 is a top view thereof;

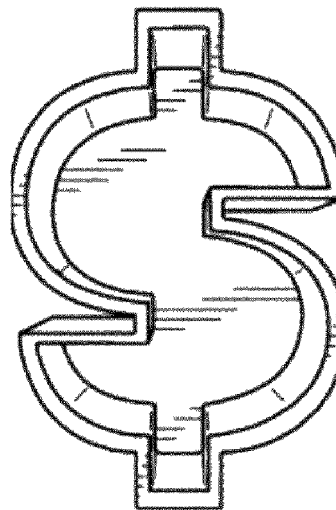
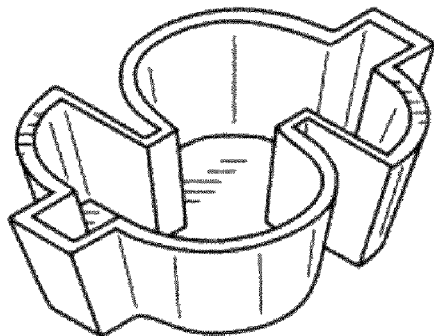
FIG. 6 is a right side elevation view thereof;

FIG. 7 is a bottom view thereof;

FIG. 8 is a front elevation view thereof; and,

FIG. 9 is a top perspective view thereof, where the food item is broken apart to show thickness.

1 Claim, 1 Drawing Sheet



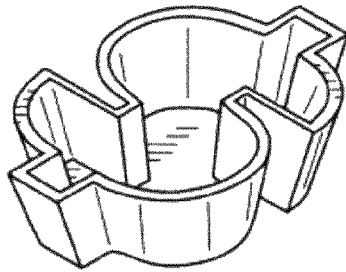


FIG. 1

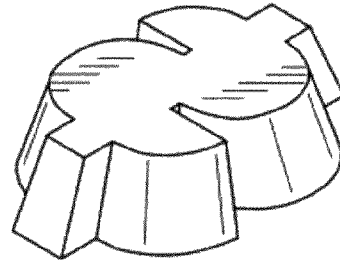


FIG. 2

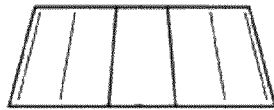


FIG. 3

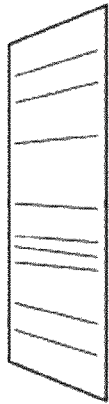


FIG. 4

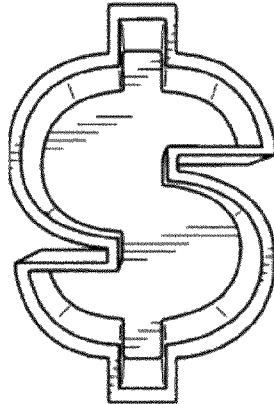


FIG. 5



FIG. 6

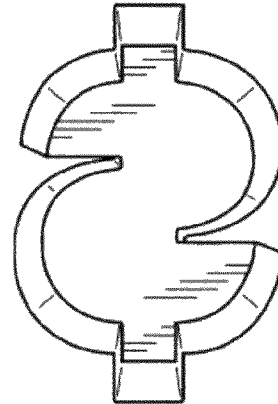


FIG. 7

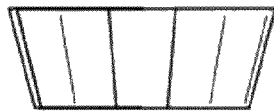


FIG. 8

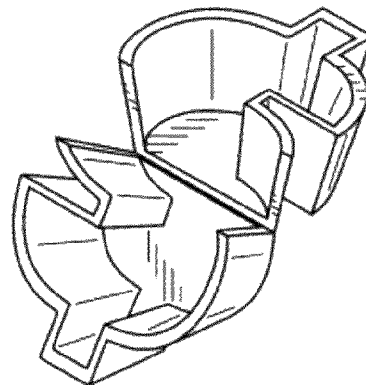


FIG. 9